

Installation Instructions

CAUTION: Certain bow shapes may not allow proper installation position for Navigation Side Lights, I.E. pontoon boats or other square bow shapes, and certain tight-radius bow shapes. Contact TACO Marine Customer Service for questions or assistance before installing lights. TACO Marine is not responsible for incorrect installation by boat builders or consumers. Side light beam “edge” line should NEVER CROSS over to each other (Red or Green). Both color light beams MUST BE PARALLEL to each other facing forward in the mounting position installation.

NOTE: Fasteners are back mounted, from interior of deck

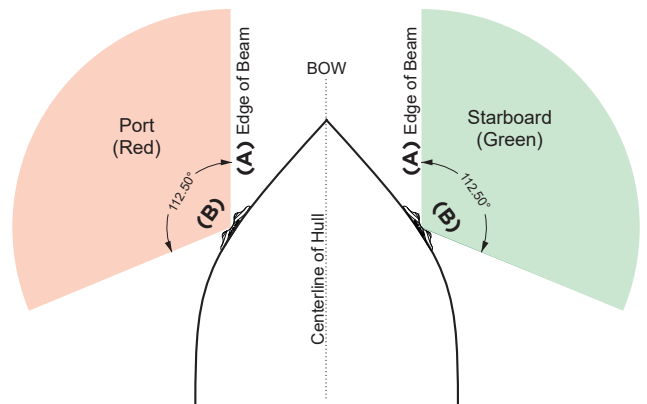
- Using the diagram below with “EDGE OF BEAM” lines facing outward from boat, EDGE OF BEAM (A) line must be parallel to the centerline of the boat and parallel to EDGE OF BEAM on the opposite side light while lights are illuminated.
- Slide diagram along surface until EDGE OF BEAM line is parallel to the centerline of boat.
- Using the center of the light beam lines (B) noted on diagram, place a mark on the designated surface.
- Drill 1/8” pilot hole into the surface.
- After completing Step 4, drill a 5/8” hole at the pilot hole location. Clean away any debris or rough edges on insert hole.
- Before making electrical connections, insert navigation light fixture into the 5/8” hole and mark for fasteners of cover plate.
- Remove the light fixture and use recommended procedure and marine connectors to strip and connect wires to the power (red+) and ground (black -) source.
- Fasten navigation light fixture to hole surface using marine-grade sealant and let dry.
 - Attached with 2- #8 (8-32) from interior of mounting surface.
- Follow the same procedure (Steps 2 through 8) for mounting light to the other side of the boat.

Box Includes

- 2 NAVIGATION LIGHT BEZEL
- 2 INSERTS
- LED SURFACE MOUNT NAV LIGHTS
- 8”X8” 3M POLY BAG

Required*
***not included**

- SAFETY GLASSES
- ELECTRIC DRILL
- ELECTRIC SCREW GUN
- HACK SAW OR SOMETHING SIMILAR
- PENCIL
- MASKING/PAINTER'S TAPE
- 1/8” DRILL BIT
- 5/8” DRILL BIT
- MARINE-GRADE ELECTRICAL CONNECTORS
- MARINE-GRADE SEALANT
- TWO (2) #8 8-32 STAINLESS STEEL FASTENERS



Service Instructions

Required*
***not included**

*To properly service the light,
it needs to be removed from the hull surface.*

- ALLEN WRENCH
- HEAT SINK GREASE
- NEW LED

1. Disconnect Wiring

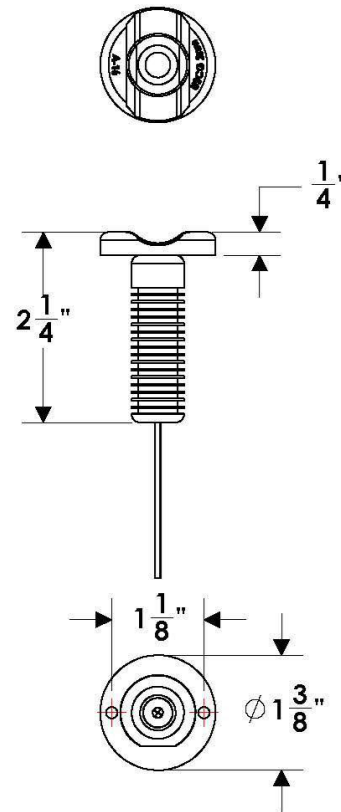
We recommend disconnecting the wiring of the light. However, if you have enough wire to remove the light and set it safely and securely on the gunnel without the light falling overboard, then disconnecting is not necessary.

2. Remove LED from Heat Sink

Using a wrench, carefully loosen the setscrew counter-clockwise. Do not remove the setscrew. Also, do not loosen it too much or else the screw may fall out. Only loosen the setscrew enough to slide the LED out of the heat sink and cover openings.

3. Inserting New LED

Once the new LED light is ready, apply a small amount of heat sink grease, which may be purchased online or at most electronic supply stores. Apply the grease to the shaft of the new LED where the inner heat sink hole and LED shaft make contact with each other. The heat sink grease helps to dissipate heat effectively. After applying heat sink grease, simply reverse all previous steps. Be sure to hold the heat sink plate and LED together while tightening the setscrew to finish the task.





SURFACE MOUNT LED SIDE NAVIGATION LIGHT SET

F38-6610G

The compliance date for ABYC A-16, Installation of Electric Navigation Lights, and C-5, Construction and Testing of Electric Navigation Lights, went into effect on August 1, 2023. All TACO Marine Navigation, Masthead, and All-Around Lights meet the requirements set forth and are approved under the NMMA Type Accepted Agreement. Additionally, all TACO Marine Navigation Lights have always used LED Cree chip technology. Please see below for documented approval of the required testing:

- C-5 Testing
- All-Around (F38-9000 Root Part Number)
- Component ID 2619819

- C-5 Compliant
- Navigation Lights (Side Lights)
- Component ID 2619788